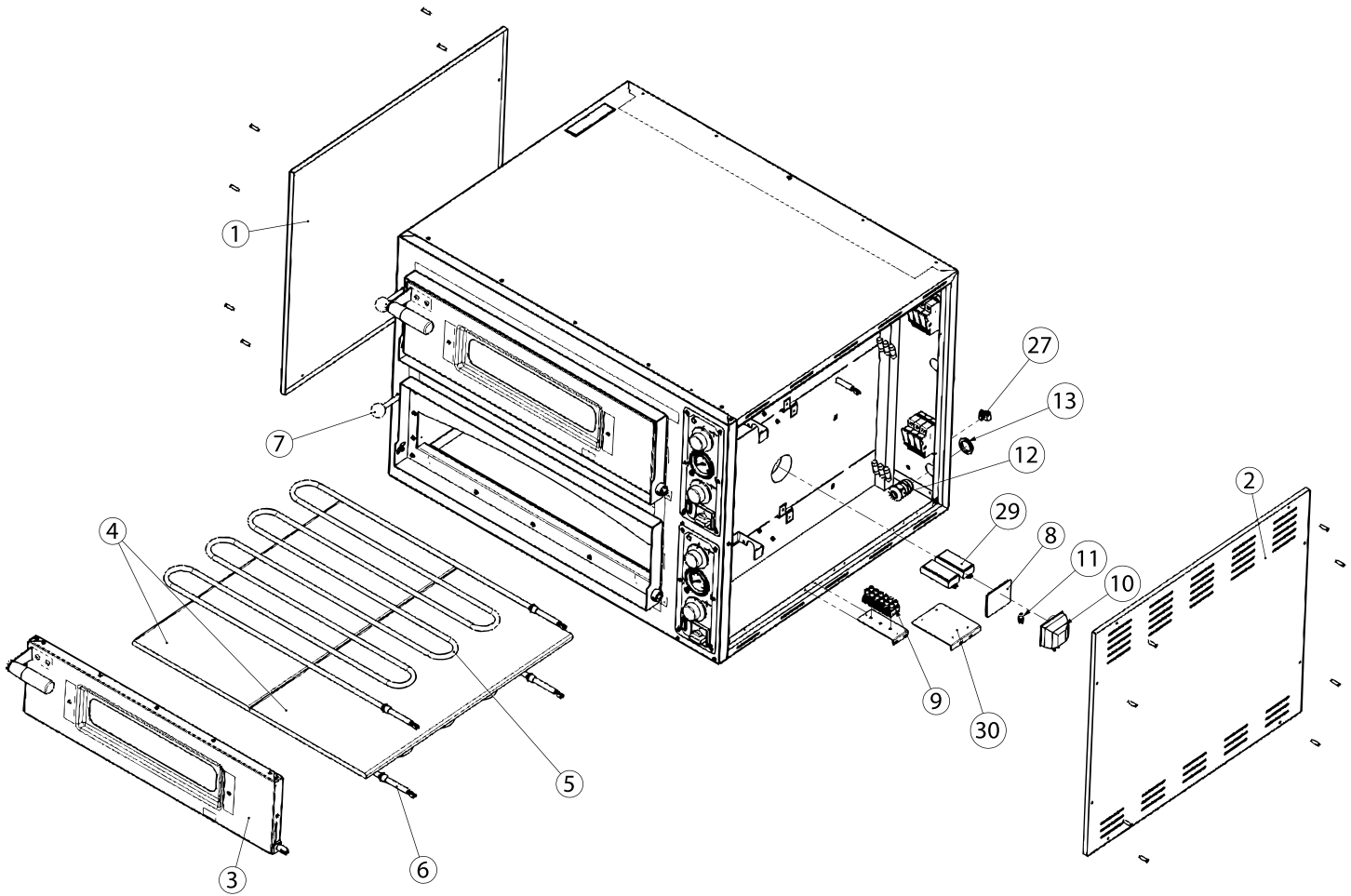


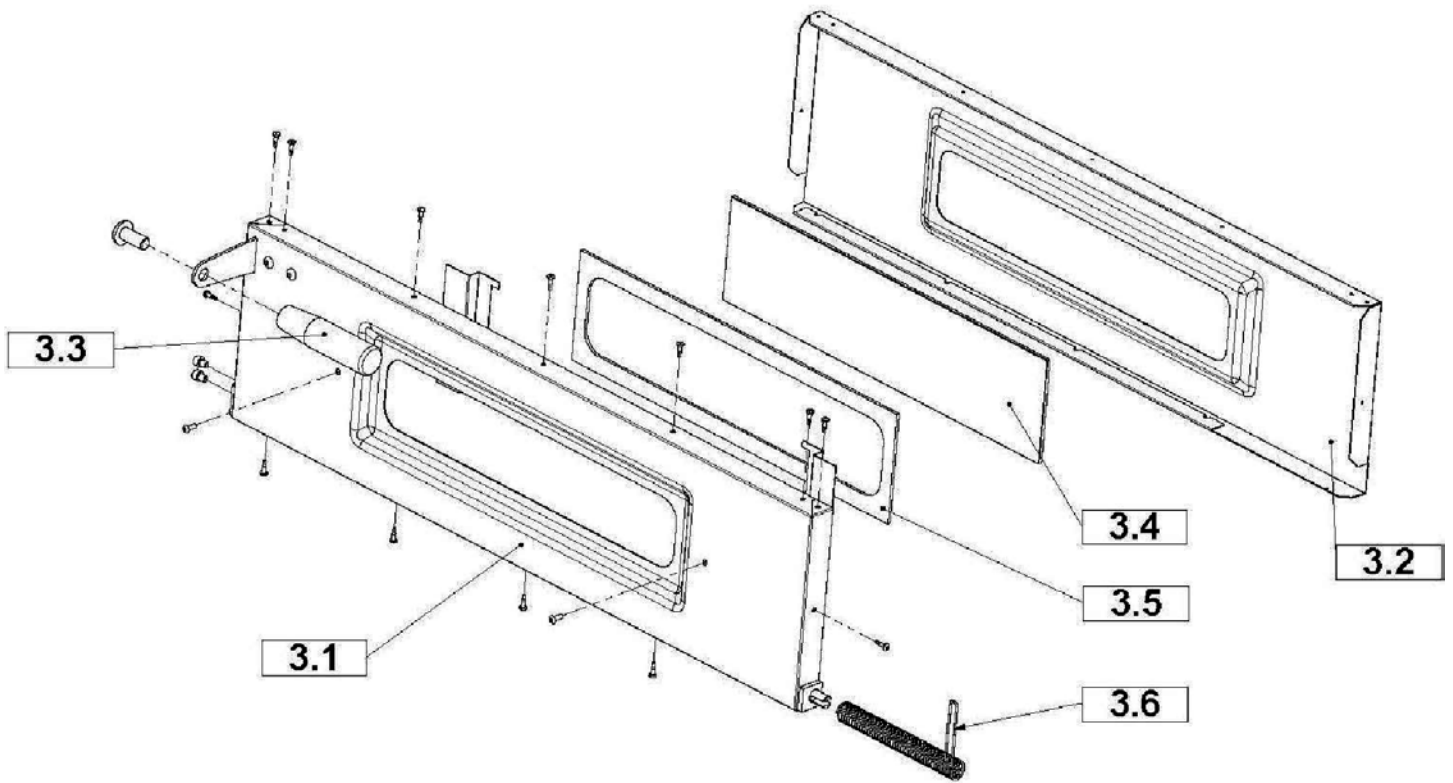
Parts Breakdown

Model PE-IT-0019-S 40635



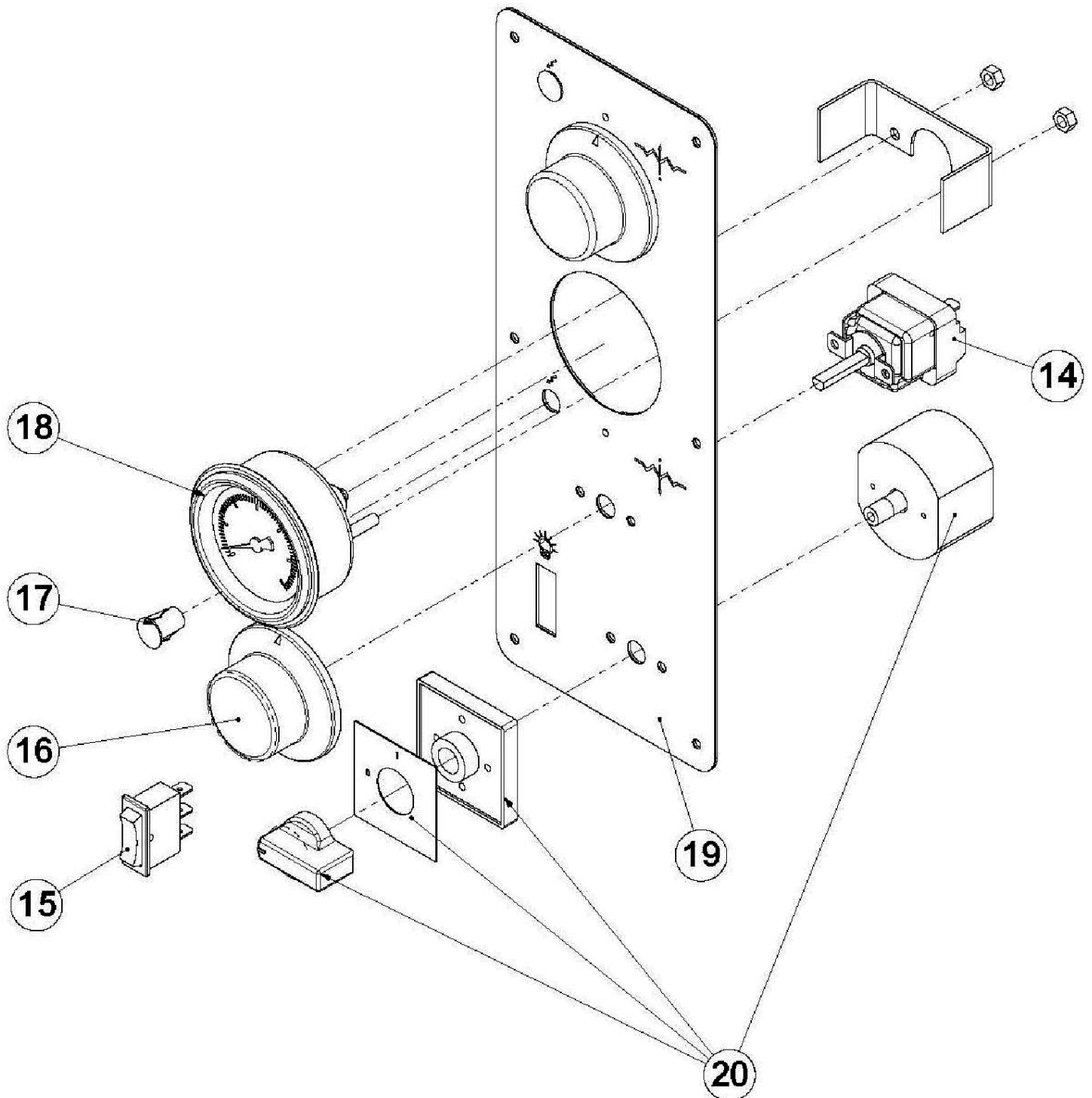
Parts Breakdown

Model PE-IT-0019-S 40635



Parts Breakdown

Model PE-IT-0019-S 40635



Parts Breakdown

Model PE-IT-0019-S 40635

Item No.	Description	Position	Item No.	Description	Position	Item No.	Description	Position
76602	Entry LH Side Panel for 40635	1	76614	Spheric Knob PLX.30-M8-C9 for 40635	7	42848	Transparent LED Bulb 380V (Including Hood) for 40635	17
76603	Entry RH Side Panel for 40635	2	AC196	Rectangular Lamp Glass for 40635	8	74749	Thermometer Ø 60 TAR. 0-500C for 40635	18
76604	Entry Complete Door for 40635	3	42831	Terminal Board PA220FV 12 Poles 16sqmm 750V-76A for 40635	9	76626	Entry Control Label for 40635	19
76605	Entry Door Assembly for 40635	3.1	AC197	Lamp Holder with Bulb and Cover for 40635	10	42035	16A Acuator P0160004R001 4-Polar Switch for 40635	20
76606	Counter Door Assembly for 40635	3.2	74855	Halogen Bulb 12V 20W G4 for 40635	11	42849	Resin Bonded Label for 40635	22
76607	Elesa Handle I 280/115 for 40635	3.3	74747	Cable Gland OBO 106 PG 21 for 40635	12	42837	Equipotential Attachment (OBO. T5012+OBO.5016M5) for 40635	27
41771	Glass Door for 40635	3.4	74746	Nut for Cable Gland OBO 106 PG 11 for 40635	13	62493	Transformer 40VA 50/60Hz 230V-12V for 40635	29, 30
76609	Joint Entry for 40635	3.5	42050	EGO Unipolar Thermostat for 470° Ovens Bulb 163mm for 40635	14	AM699	Thermostat Probe Support Safety T.D. 8438.90.00 (Bracket) for 40635	
76650	Brick 350x700x14 for 40635	4	42048	Luminous Unipolar Red Switch for 40635	15	AM700	Unipolar Safety Thermostat 512TH - UL (55.13584.010) T.D. 8514.90.70 for 40635	
76612	Resistor 2800 W 230 V Prime for 40635	5, 6	76646	Thermostat Knob AP Scale 0-10 for 40635	16	AM701	Vite TC+ Autofor. 3.9x13 ZN NR 24.00 N8E T.D. 7318.12.10 for 40635	